

DESCRIPTION

THE MODEL SW-2182-1 OPTION 902F IS A REFLECTIVE SPST SWITCH CENTERED AT 9.2 GHz AND HAS AN LOW INSERTION LOSS OF 1.6 dB MAXIMUM.

SPECIFICATIONS

- FREQUENCY RANGE: 9.2 GHz \pm 500 MHz
- INSERTION LOSS: 1.6 dB MAXIMUM
- ISOLATION: 45 dB MINIMUM
- VSWR: 1.9:1
- RISE TIME: 10 nSec MAXIMUM
- FALL TIME: 10 nSec MAXIMUM
- POWER INPUT: 2 WATTS AVERAGE
- SURVIVAL POWER: 10 WATTS PEAK 1 μ Sec
- CONTROL: PATH "ON" -10V
PATH "OFF" +35mA
- CONNECTORS:
RF: SMA FEMALE
CONTROL: SMC MALE
- SIZE: 0.95" (L) x 0.79" (W) x 0.51" (H)
- WEIGHT: 1.5 OUNCE TYPICAL

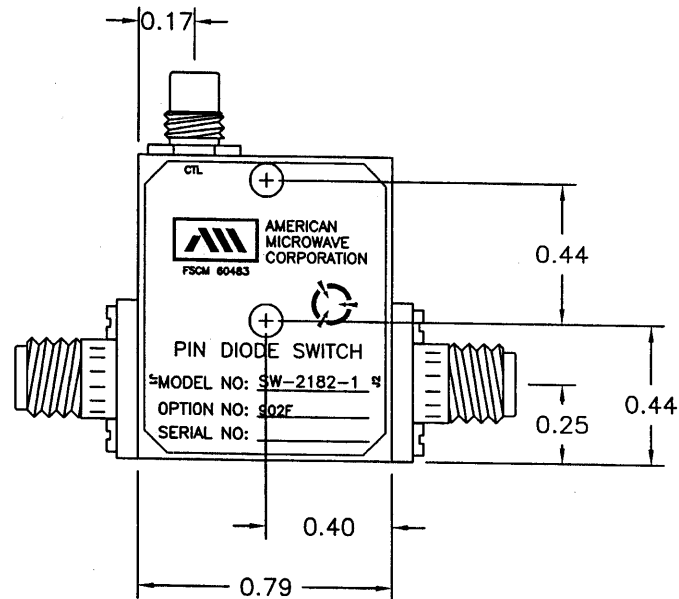
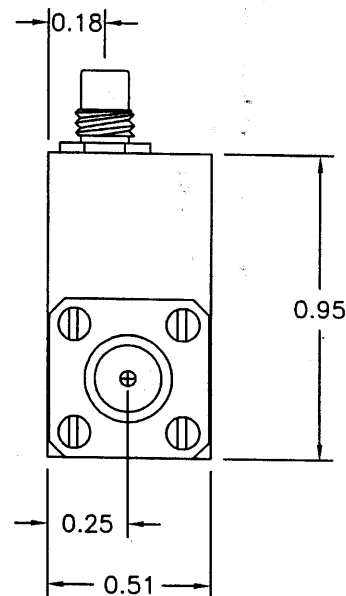
OPTIONS

- 902F 9.2 GHz \pm 500 MHz

ENVIRONMENTAL RATINGS

- TEMPERATURE: -65°C TO +110°C (OPERATING)
-65°C TO +125°C (STORAGE)
- HUMIDITY: MIL-STD--202F, METHOD 103B COND. B
- SHOCK: MIL-STD--202F, METHOD 213B COND. B
- VIBRATION: MIL-STD--202F, METHOD 204D COND. B
- ALTITUDE: MIL-STD--202F, METHOD 105C COND. B
- TEMPERATURE CYCLE: MIL-STD--202F, METHOD 107D COND. A

NOTE: SPECIFICATIONS WILL VARY OVER OPERATING TEMPERATURE
NOTE: THE ABOVE SPECIFICATIONS ARE SUBJECT TO CHANGE OR REVISION



ALL DIMENSIONS ARE IN INCHES
TOLERANCES:
X.XX \pm 0.020
X.XXX \pm 0.010

REVISIONS				
ZONE	REV.	DESCRIPTION	DATE	APPROVED
	-	ORIGINAL RELEASE JOB# 410250N	12/10/04	

AMERICAN MICROWAVE CORPORATION

7311-G GROVE ROAD
FREDERICK, MARYLAND 21704 USA
TEL: 301-662-4700 FAX: 301-662-4938
WEBSITE: www.americanmicrowavecorp.com
E-MAIL: sales@americanmicrowavecorp.com
ISO 9001:2000 CERTIFIED

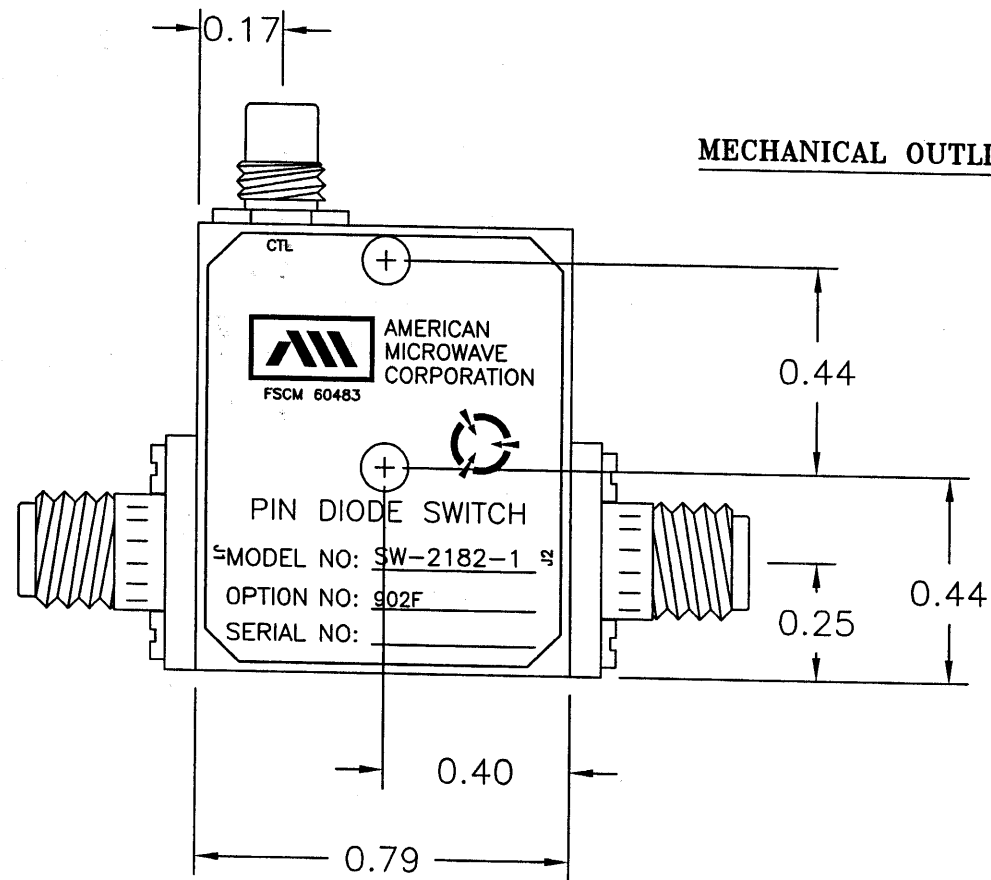
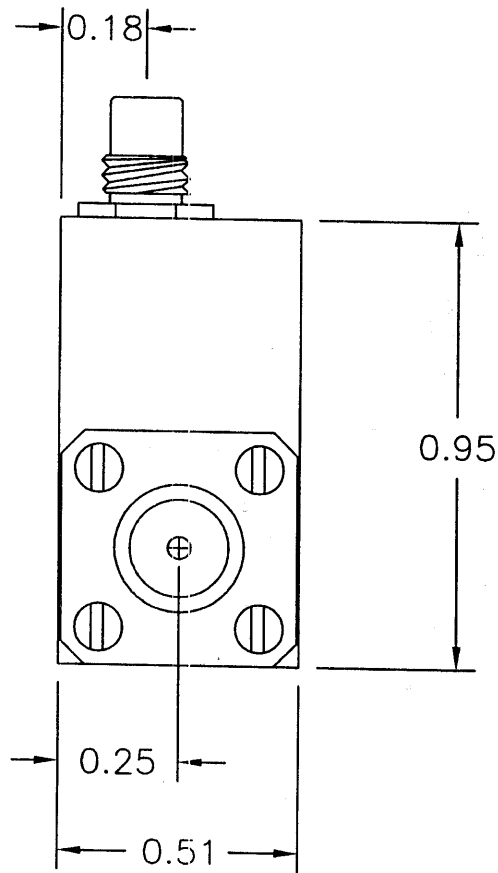


APPROVALS		DATE	TITLE			REV.
DRAWN	<i>JKM</i>	12/10/04	PRODUCT FEATURE SW-2182-1 OPTION: 902F 9.2 GHz PIN DIODE SPST SWITCH			-
CHECKED	<i>PK</i>	1/14/05	SIZE	FSCM NO.	DWG NO.	
ISSUED			A	60483	100-7218	
			SCALE	N:S	SHEET	1 OF 3

DESCRIPTION

THE MODEL SW-2182-1 OPTION 902F IS A REFLECTIVE SPST SWITCH CENTERED AT 9.2 GHz AND HAS AN LOW INSERTION LOSS OF 1.6 dB MAXIMUM.

REVISIONS				
ZONE	REV.	DESCRIPTION	DATE	APPROVED
-	-	ORIGINAL RELEASE JOB# 410250N	12/10/04	



MECHANICAL OUTLINE

AMERICAN MICROWAVE CORPORATION

7311-G GROVE ROAD
 FREDERICK, MARYLAND 21704 USA
 TEL: 301-662-4700 FAX: 301-662-4938
 WEBSITE: www.americanmicrowavecorp.com
 E-MAIL: sales@americanmicrowavecorp.com
 ISO 9001:2000 CERTIFIED



ALL DIMENSIONS ARE IN INCHES
 TOLERANCES:
 X.XX ±0.020
 X.XXX ±0.010

APPROVALS		DATE	TITLE			REV.
DRAWN	<i>JRM</i>	12/10/04	MECHANICAL OUTLINE SW-2182-1 OPTION: 902F 9.2 GHz PIN DIODE SPST SWITCH			-
CHECKED	<i>M</i>	1/14/05	SIZE	FSCM NO.	DWG NO.	
ISSUED			A	60483	100-7218	
			SCALE	N:S		SHEET 2 OF 3